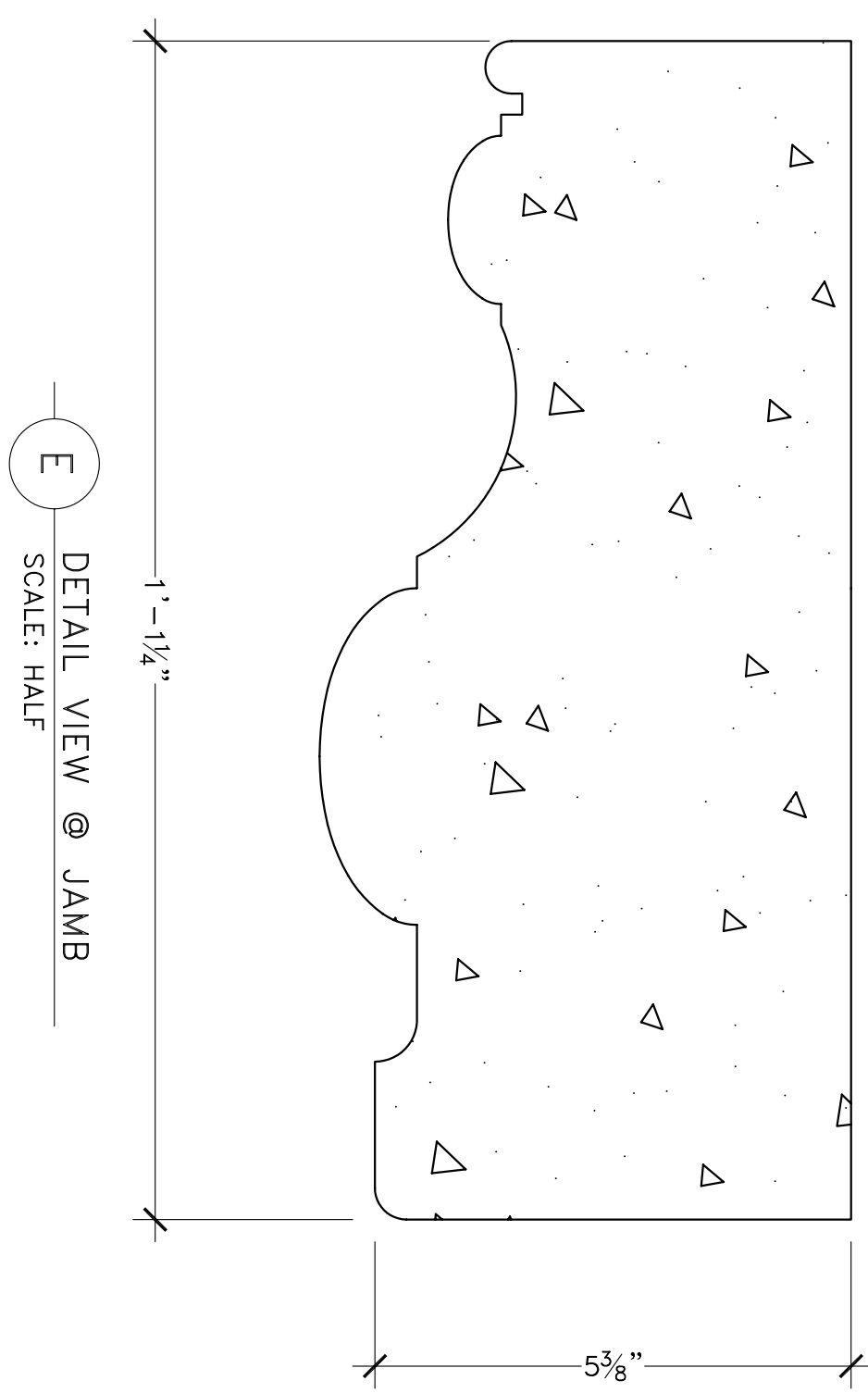
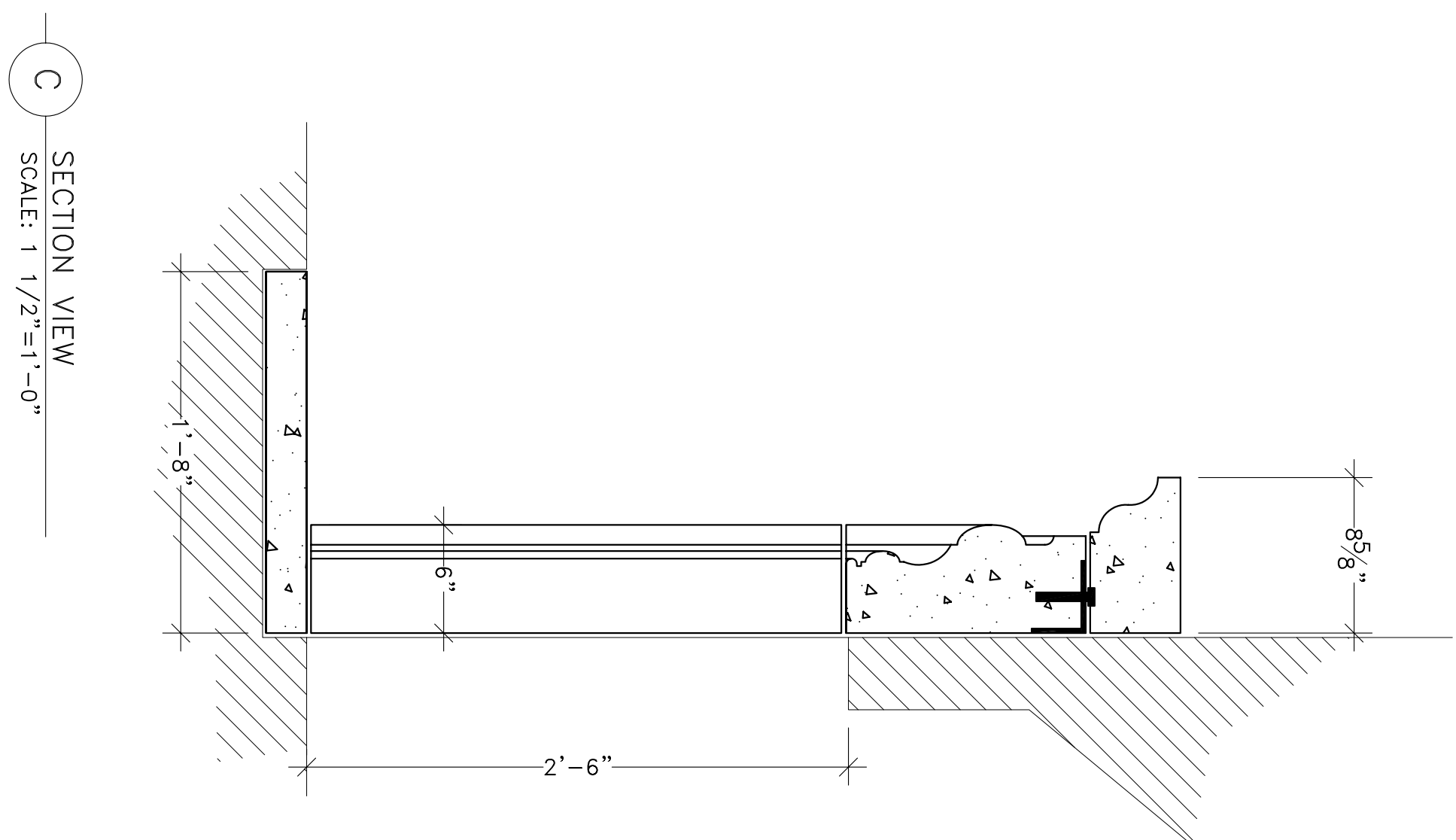
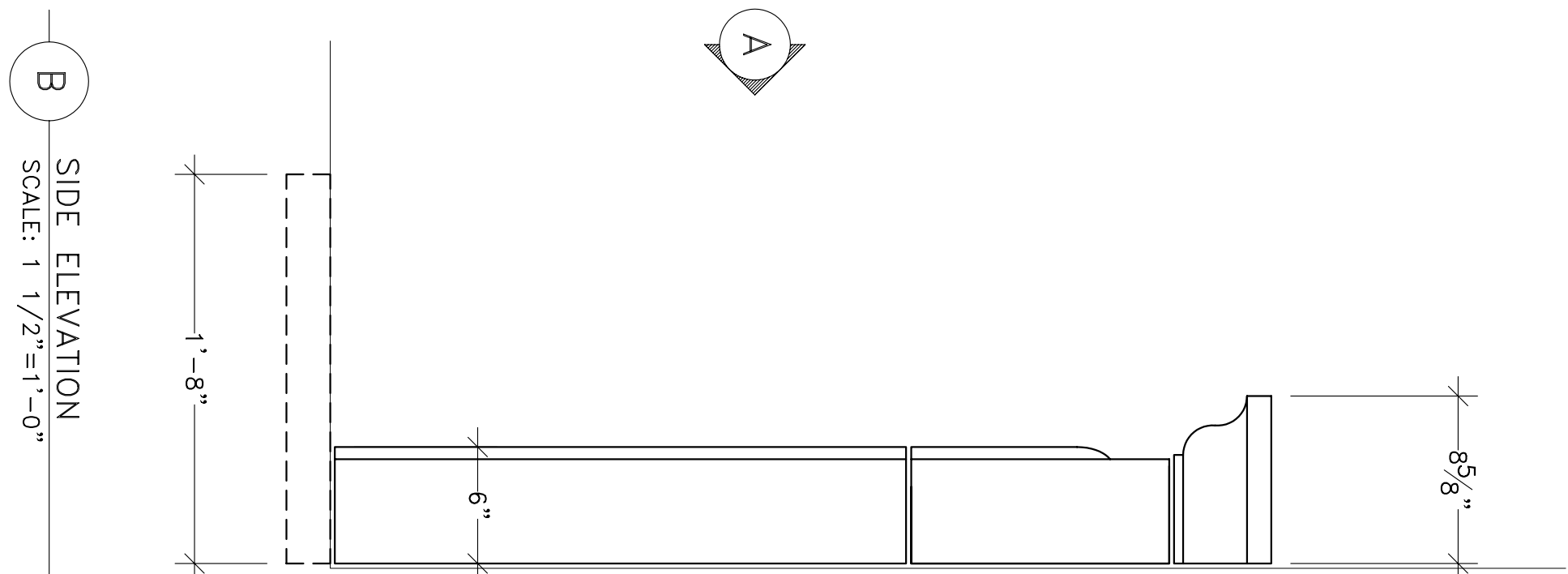
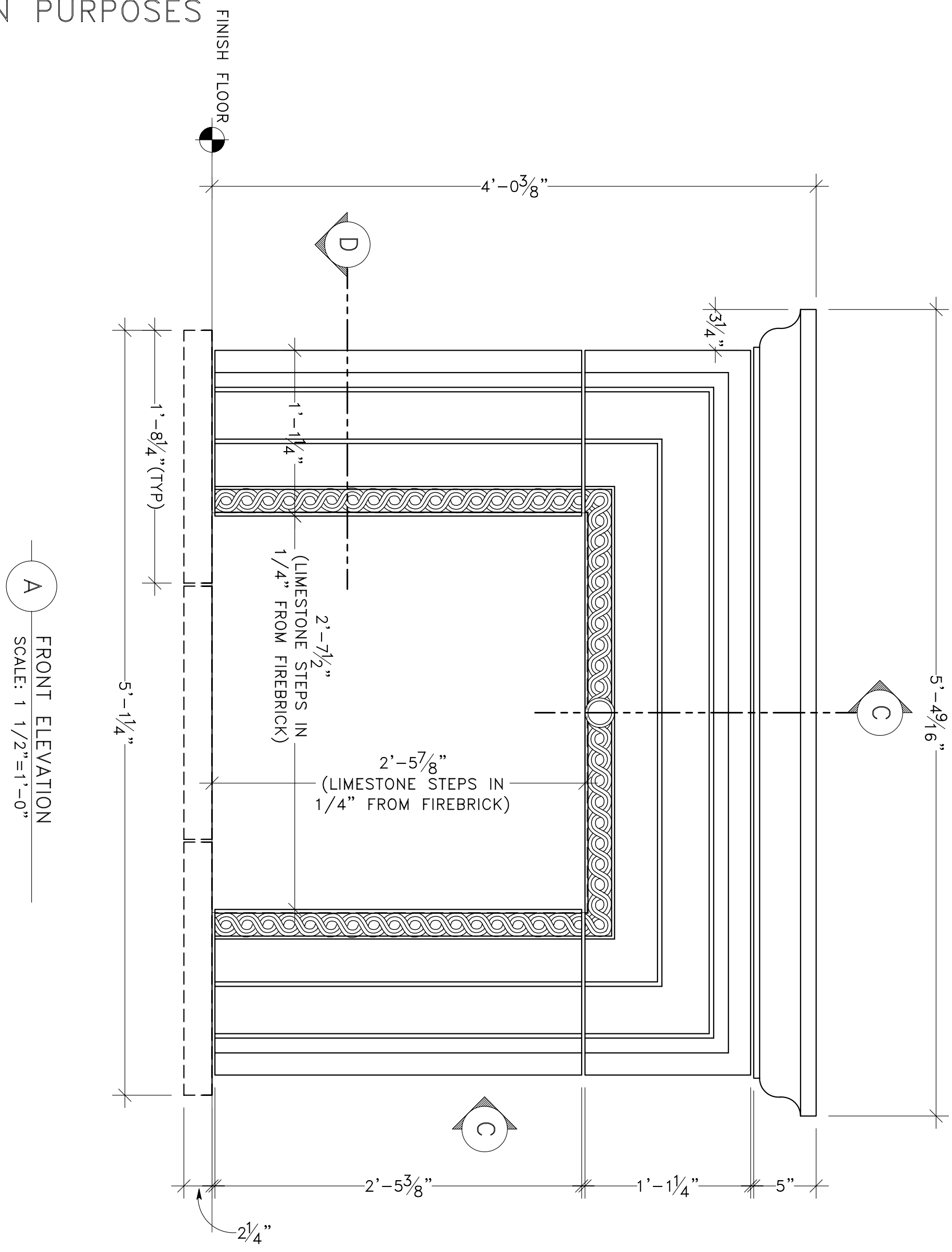
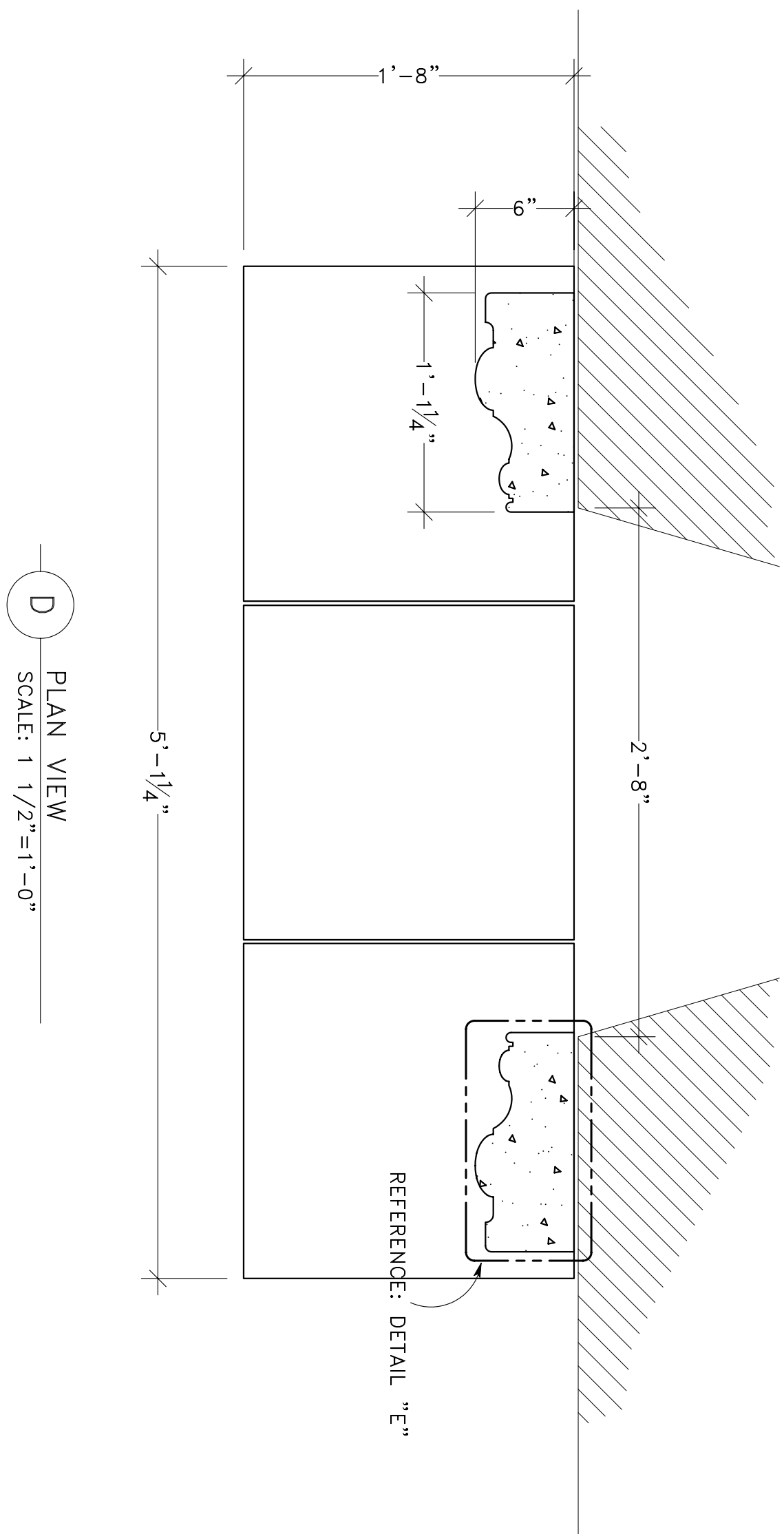


SAMPLE DRAWING
NOT FOR PRODUCTION PURPOSES



SAMPLE DRAWING
NOT FOR PRODUCTION PURPOSES

SAMPLE DRAWING
NOT FOR PRODUCTION PURPOSES

SAMPLE DRAWING
NOT FOR PRODUCTION PURPOSES

BARTLETT STONE COMPANY
TEL: 512-818-9902 FAX 254-793-2125 10450 RR 2338 GEORGETOWN, TX 78628

NOTE:
The dimensions, designs, and existing conditions detailed on this drawing must be reviewed, checked and approved with any necessary changes indicated by the client or their representative before the production of this project will begin.
Bartlett Stone Company is not responsible for any damage resulting from insufficient substructure. The substructure required to carry this project, as determined by an architect or engineer, must be provided.
All anchor pins and wall ties are to be provided by others

DESCRIPTION:		
DESIGNED BY:	DATE:	DRAWN BY:
CHECKED BY:		REVISIONS:
APPROVED:		