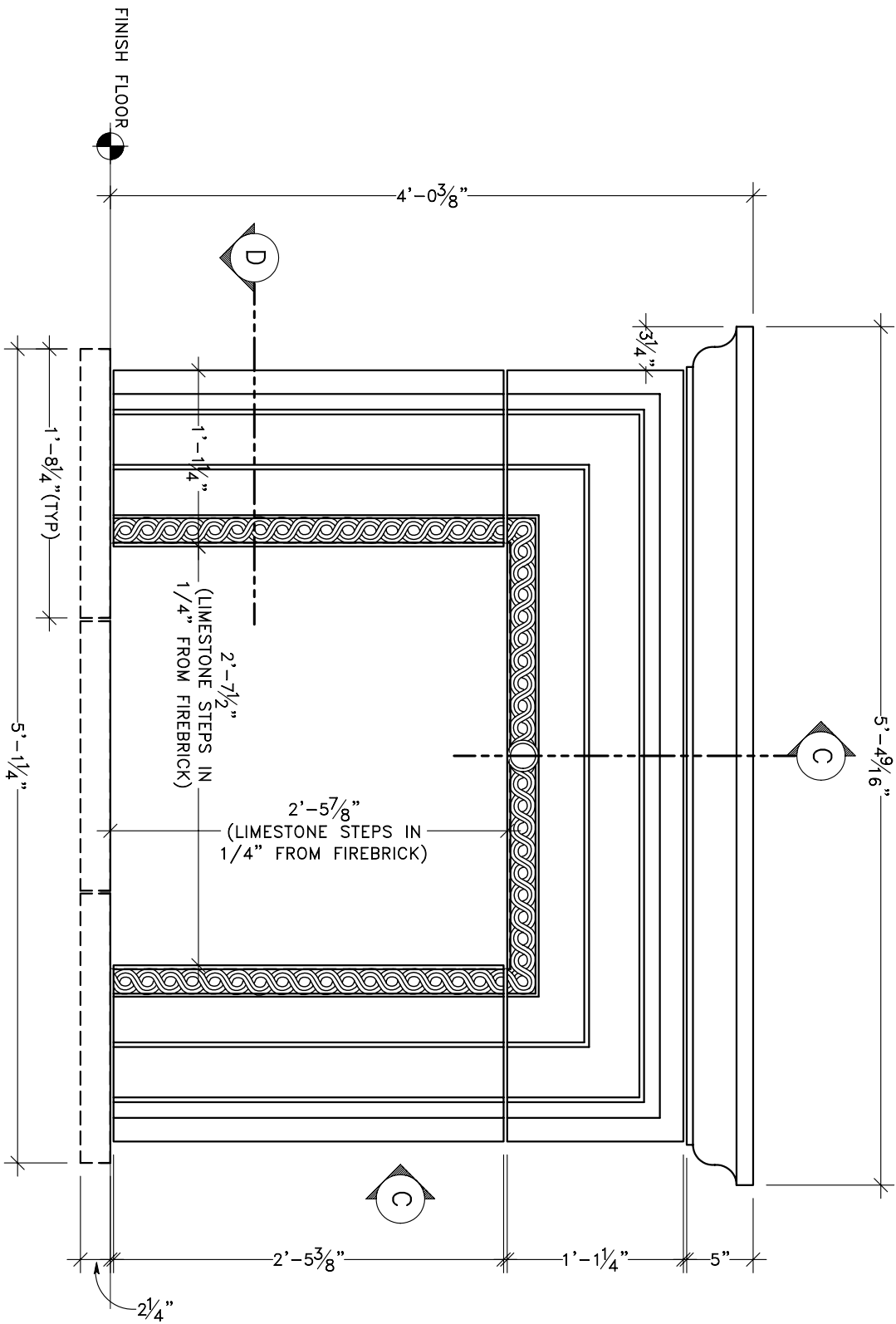


SAMPLE DRAWING  
NOT FOR PRODUCTION PURPOSES



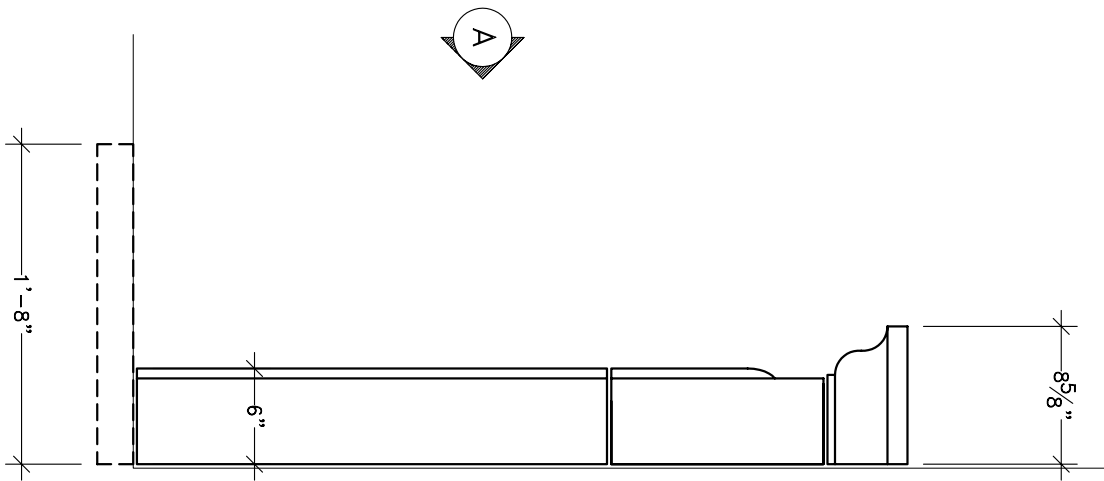
A  
FRONT ELEVATION  
SCALE: 1"=1'-0"

**BARTLETT STONE COMPANY**  
 TEL: 512-818-9902 FAX 254-793-2125 10450 RR 2338 GEORGETOWN, TX 78628

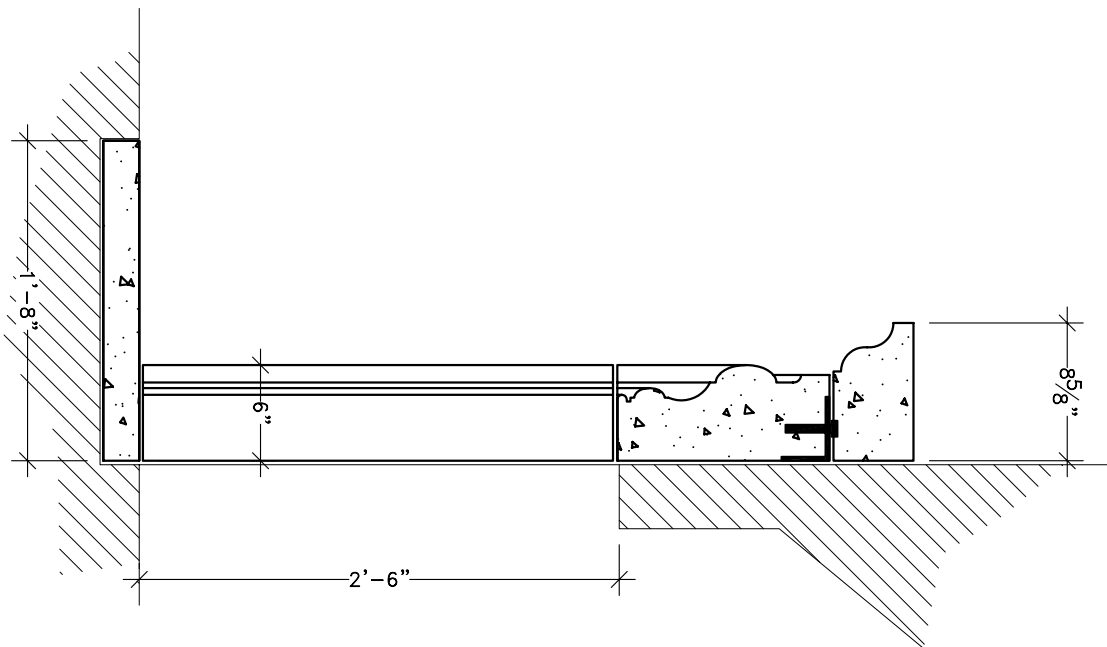
**NOTE:**  
 The dimensions, designs, and existing conditions detailed on this drawing must be reviewed, checked and approved with any necessary changes indicated by the client or their representative before the production of this project will begin.  
 Bartlett Stone Company is not responsible for any damage resulting from insufficient substructure. The substructure required to carry this project, as determined by an architect or engineer, must be provided.  
 All anchor pins and wall ties are to be provided by others.

NO.	REV.	DATE	DESCRIPTION
1	0001		
1'-1/2"=1'-0"			

SAMPLE DRAWING  
NOT FOR PRODUCTION PURPOSES



**B** SIDE ELEVATION  
SCALE: 1"=1'-0"



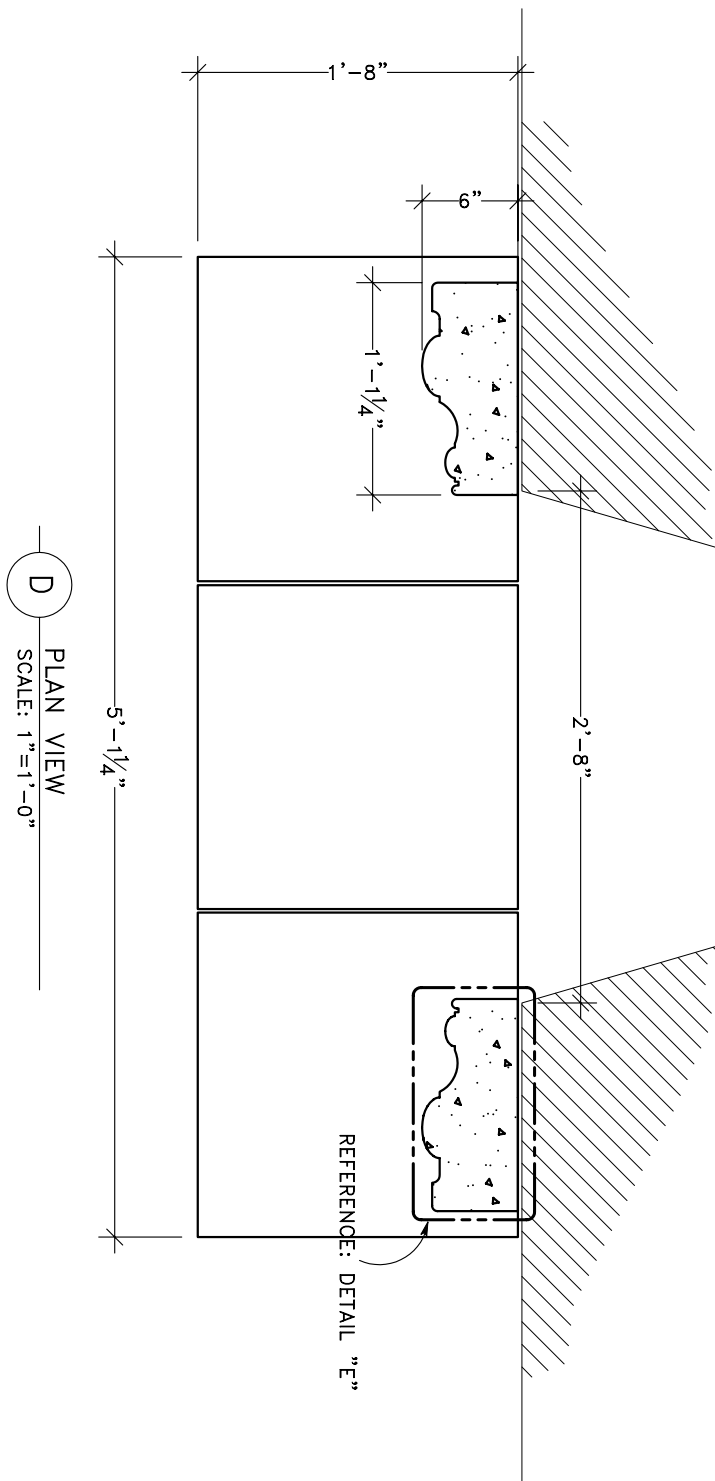
**C** SECTION VIEW  
SCALE: 1"=1'-0"

**BARTLETT STONE COMPANY**  
TEL: 512-818-9902 FAX 254-793-2125 10450 RR 2338 GEORGETOWN, TX 78628

**NOTE:**  
The dimensions, designs, and setting conditions detailed on this drawing must be reviewed, checked and approved with any necessary changes indicated by the client or their representative before the production of this project will begin.  
Bartlett Stone Company is not responsible for any damage resulting from insufficient installation. The subcontractors required to carry this project, as determined by an architect or engineer, must be provided.  
All anchor pins and wall ties are to be provided by others.

DESCRIPTION	DATE	BY	REVISION
1	0001		
1-1/2"=1'-0"			
APPROVED			

SAMPLE DRAWING  
NOT FOR PRODUCTION PURPOSES

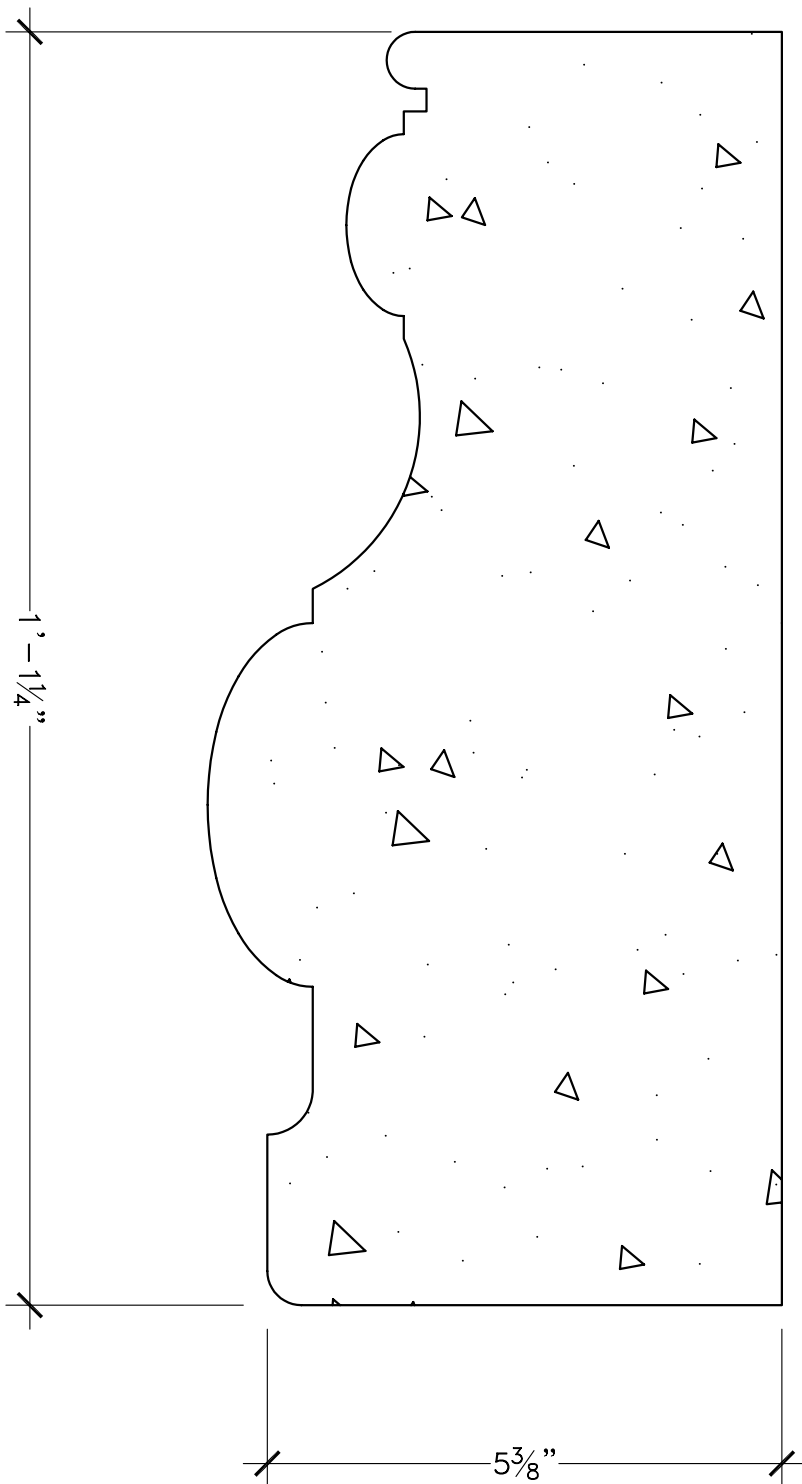


**NOTE:**  
The dimensions, designs, and setting conditions detailed on this drawing must be reviewed, checked and approved with any necessary changes indicated by the client or their representative before the production of this project will begin.  
Bartlett Stone Company is not responsible for any damage resulting from insufficient infrastructure. The infrastructure required to carry this project, as determined by an architect or engineer, must be provided.  
All anchor pins and wall ties are to be provided by others.

**BARTLETT STONE COMPANY**  
TEL: 512-818-9902 FAX 254-793-2125 10450 RR 2338 GEORGETOWN, TX 78628

DESCRIPTION	DATE	REVISED BY
1	0001	
1-1/2"=1'-0"		
DATE	BY	APP'D

SAMPLE DRAWING  
NOT FOR PRODUCTION PURPOSES



E  
DETAIL SECTION OF JAMB  
SCALE: HALF

**BARTLETT STONE COMPANY**  
TEL: 512-818-9902 FAX 254-793-2125 10450 RR 2338 GEORGETOWN, TX 78628

**NOTE:**  
The dimensions, designs, and cutting conditions detailed on this drawing must be reviewed, checked and approved with any necessary changes indicated by the client or their representative before the production of this project will begin.  
Bartlett Stone Company is not responsible for any damage resulting from insufficient instructions. The instructions required to carry this project, as determined by an architect or engineer, must be provided.  
All anchor pins and wall ties are to be provided by others.

REVISIONS	NO.	DATE	DESCRIPTION
1	0001		
1-1/2"-1'-0"			
DATE PLOTTED			