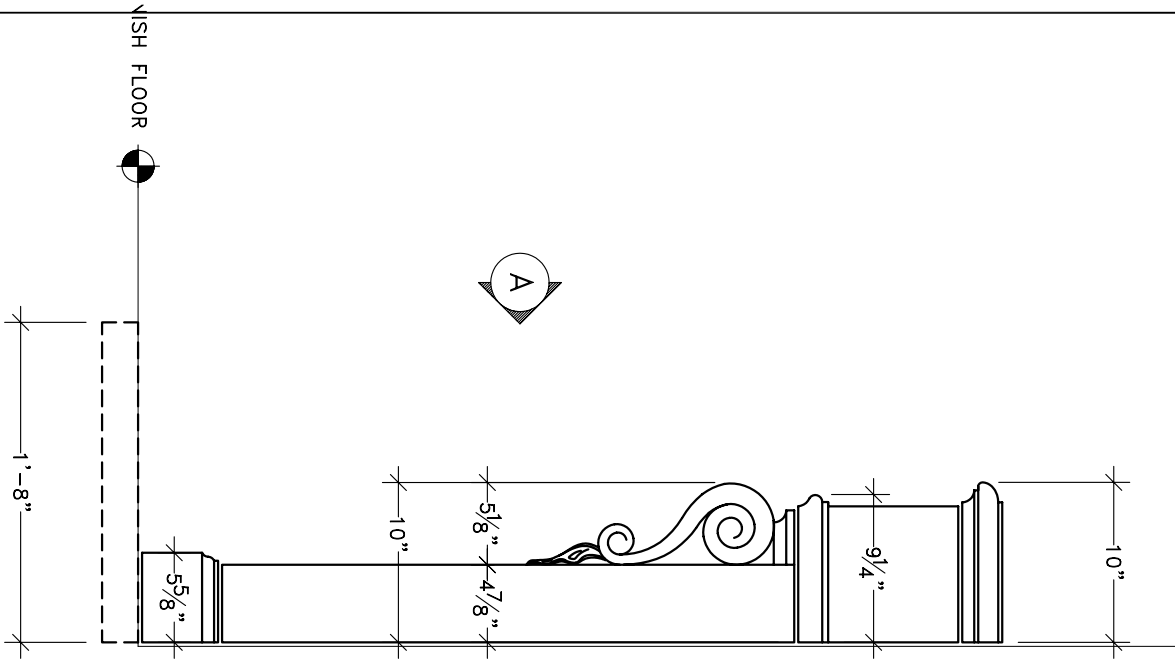
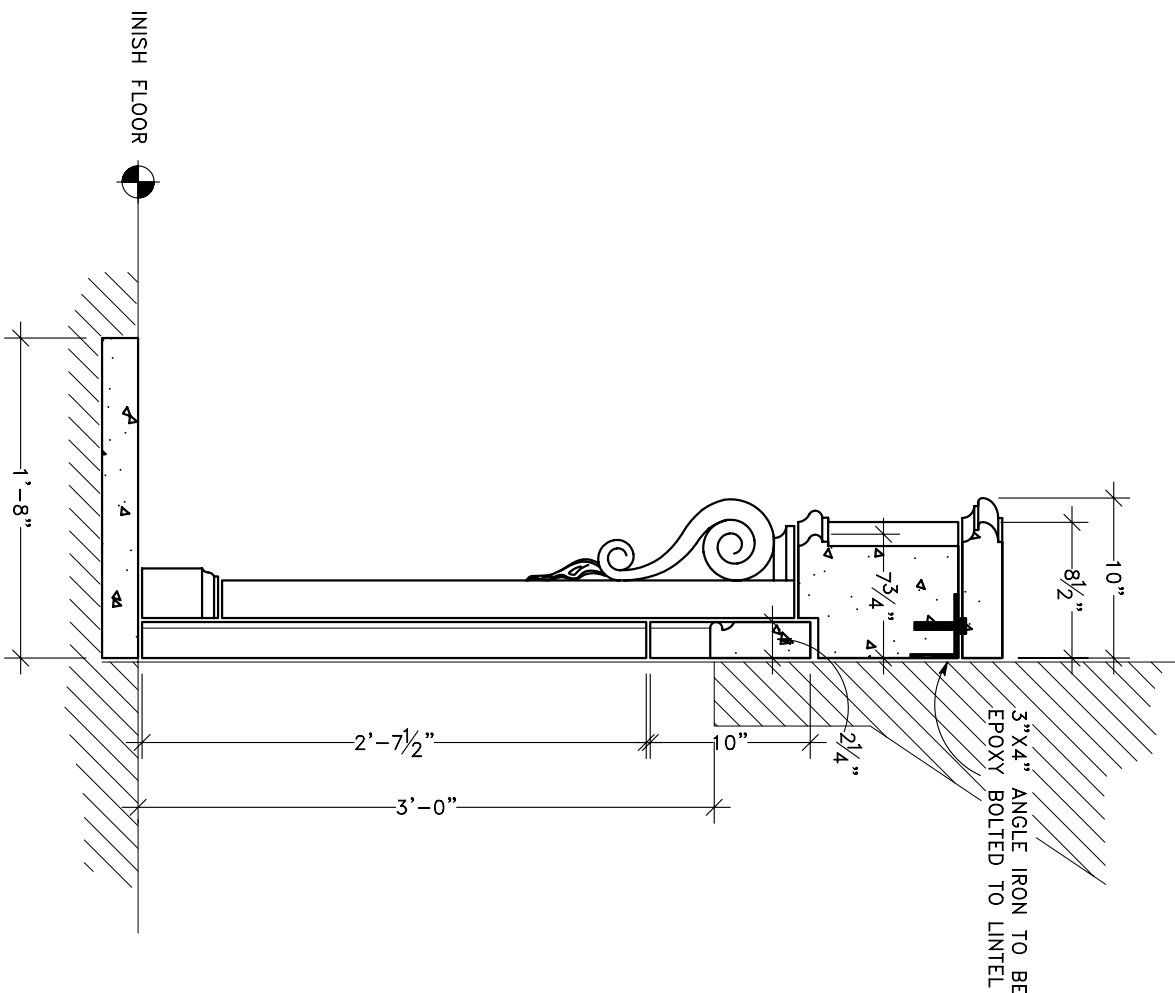


SAMPLE DRAWING
NOT FOR PRODUCTION PURPOSES



B SIDE ELEVATION
SCALE: 1"=1'-0"



C SECTION VIEW
SCALE: 1"=1'-0"

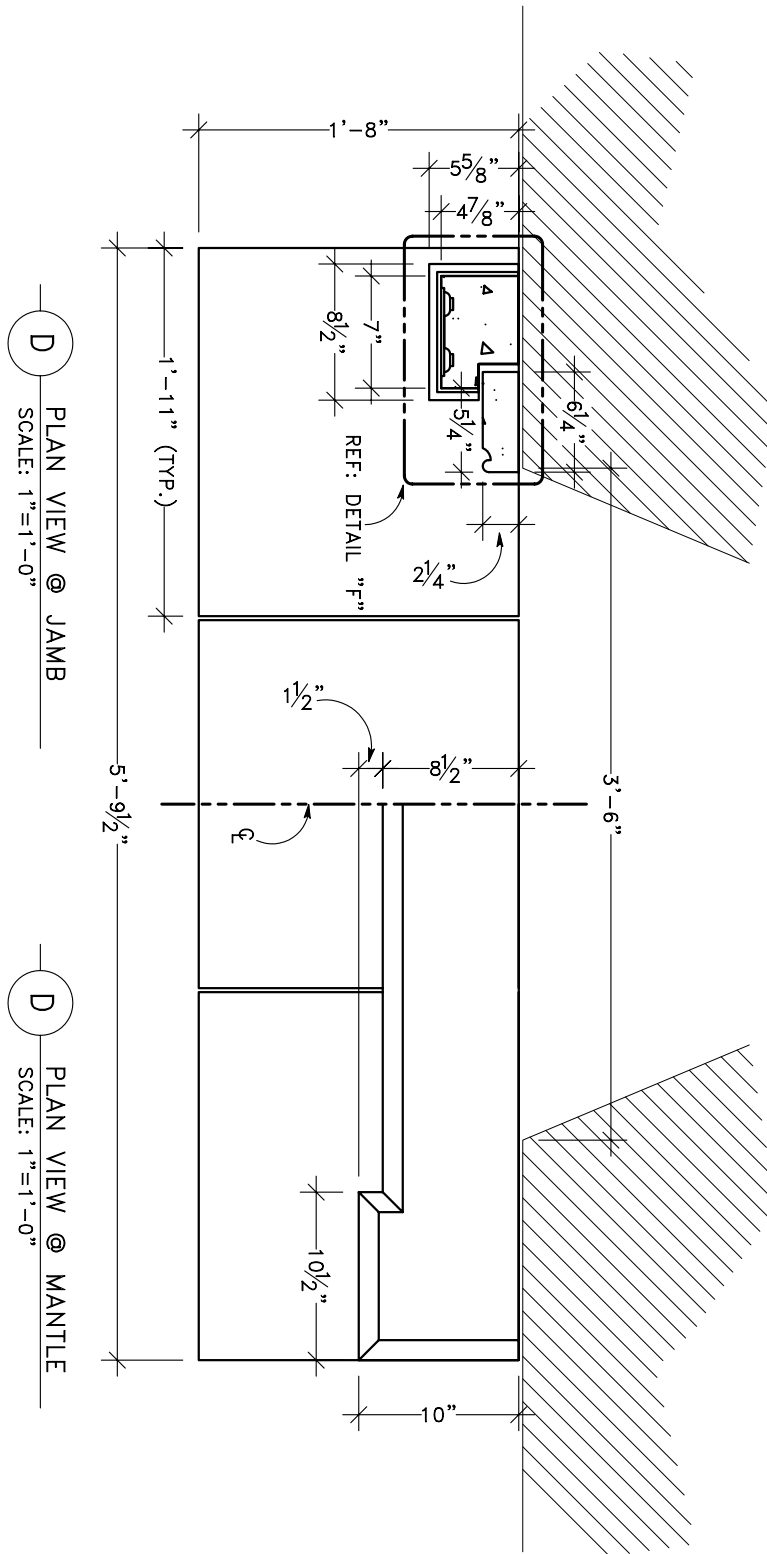
3" X 4" ANGLE IRON TO BE
EPOXY BOLTED TO LINTEL

BARTLETT STONE COMPANY
TEL: 512-818-9902 FAX 254-793-2125 10450 RR 2338 GEORGETOWN, TX 78628

NOTE:
The dimensions, design, and existing conditions detailed on this drawing must be reviewed, checked and approved with any necessary changes indicated by the client or their representative before the production of this project will begin.
Bartlett Stone Company is not responsible for any damage resulting from insufficient substructure. The substructure required to carry this project, as determined by an architect or engineer, must be provided.
All anchor pins and wall ties are to be provided by others.

1	0001	DATE:	
1-1/2"=1'-0"		DATE:	

SAMPLE DRAWING
NOT FOR PRODUCTION PURPOSES

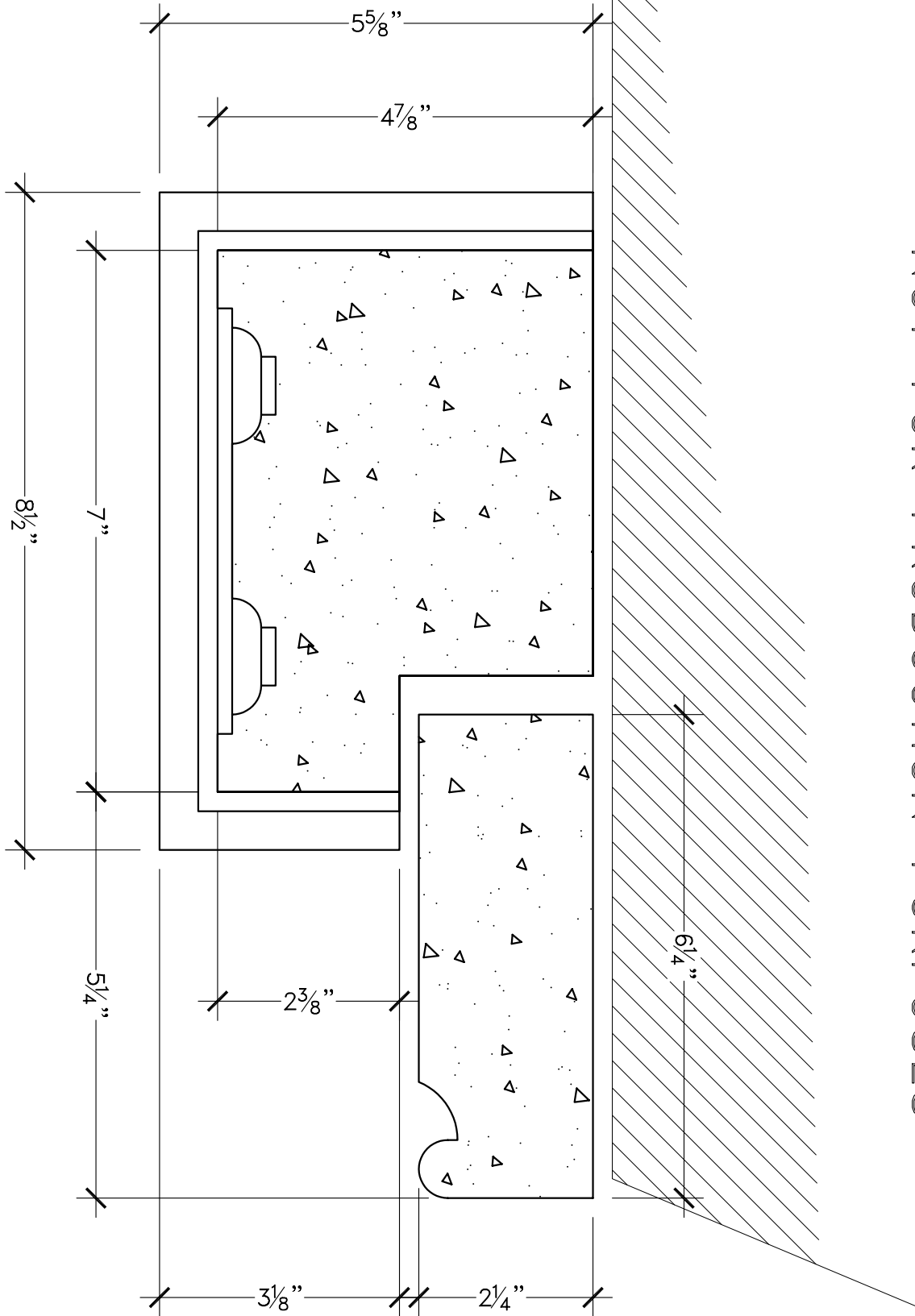


NOTE:
The dimensions, designs, and existing conditions detailed on this drawing must be reviewed, checked and approved with any necessary changes indicated by the client or their representative before the production of this project will begin.
Bartlett Stone Company is not responsible for any damage resulting from insufficient substructure. The substructure required to carry this project, as determined by an architect or engineer, must be provided.
All anchor pins and wall ties are to be provided by others.

BARTLETT STONE COMPANY
TEL: 512-818-9902 FAX 254-793-2125 10450 RR 2338 GEORGETOWN, TX 78628

PROJECT NO.	1	DRAWING NO.	0001
DATE	1-1/2-01	SCALE	1"=1'-0"

SAMPLE DRAWING
NOT FOR PRODUCTION PURPOSES



F

DETAIL SECTION OF JAMB AND INTERIOR
SCALE: HALF

BARTLETT STONE COMPANY
TEL: 512-818-9902 FAX 254-793-2125 10450 RR 2338 GEORGETOWN, TX 78628

NOTE:
The dimensions, design, and existing conditions detailed on this drawing must be reviewed, checked and approved with any necessary changes indicated by the client or their representative before the production of this project will begin.
Bartlett Stone Company is not responsible for any damage resulting from insufficient substructure. The substructure required to carry this project, as determined by an architect or engineer, must be provided.
All anchor pins and wall ties are to be provided by others.

NO.	1	DATE	0001
REV.		DATE	
1-1/2"=1'-0"		DATE	