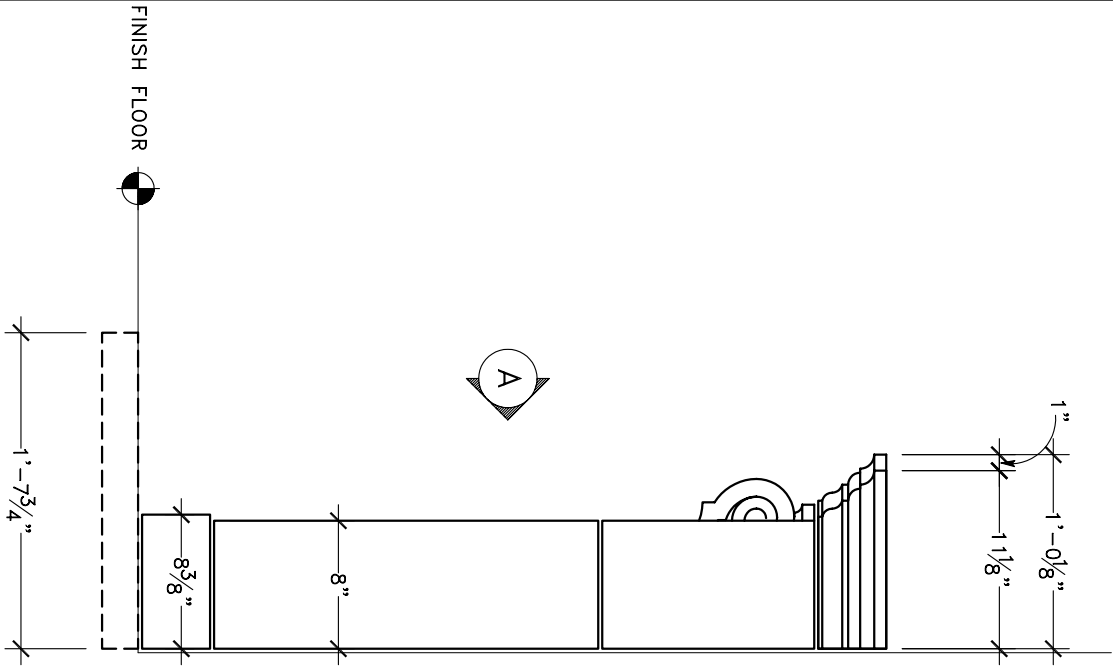
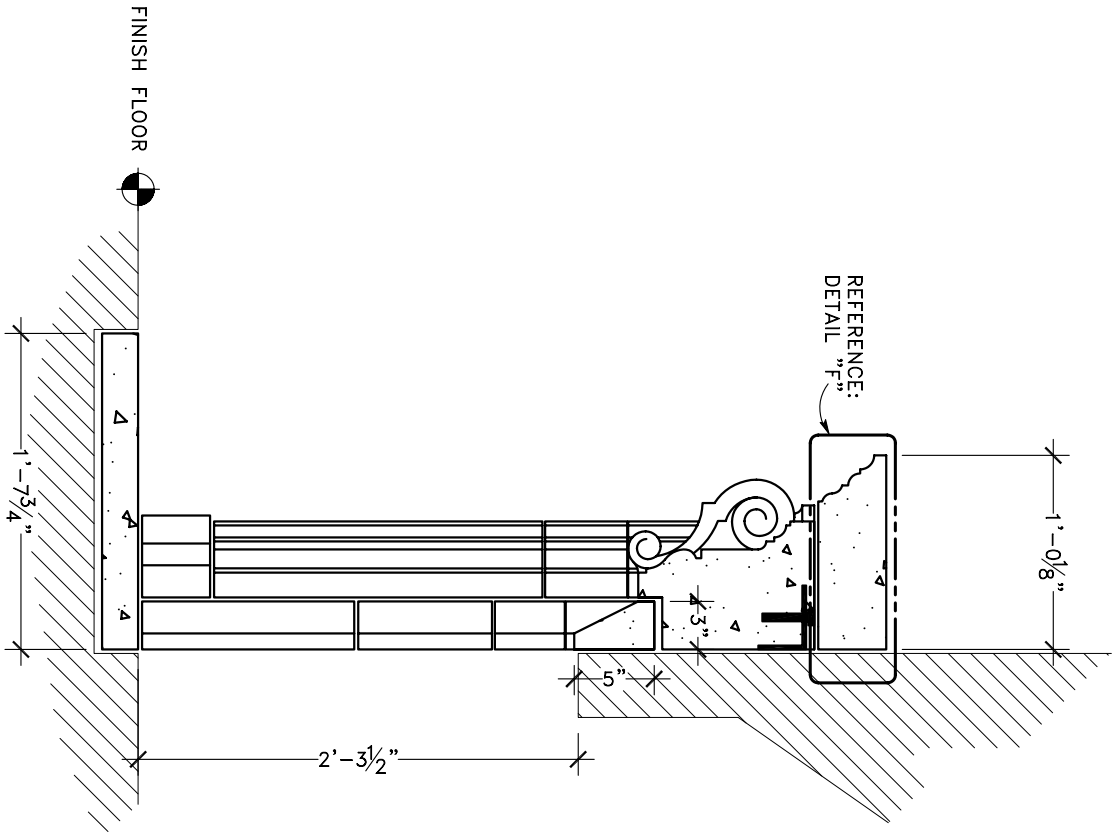




SAMPLE DRAWING  
NOT FOR PRODUCTION PURPOSES



B  
SIDE ELEVATION  
SCALE: 1"=1'-0"



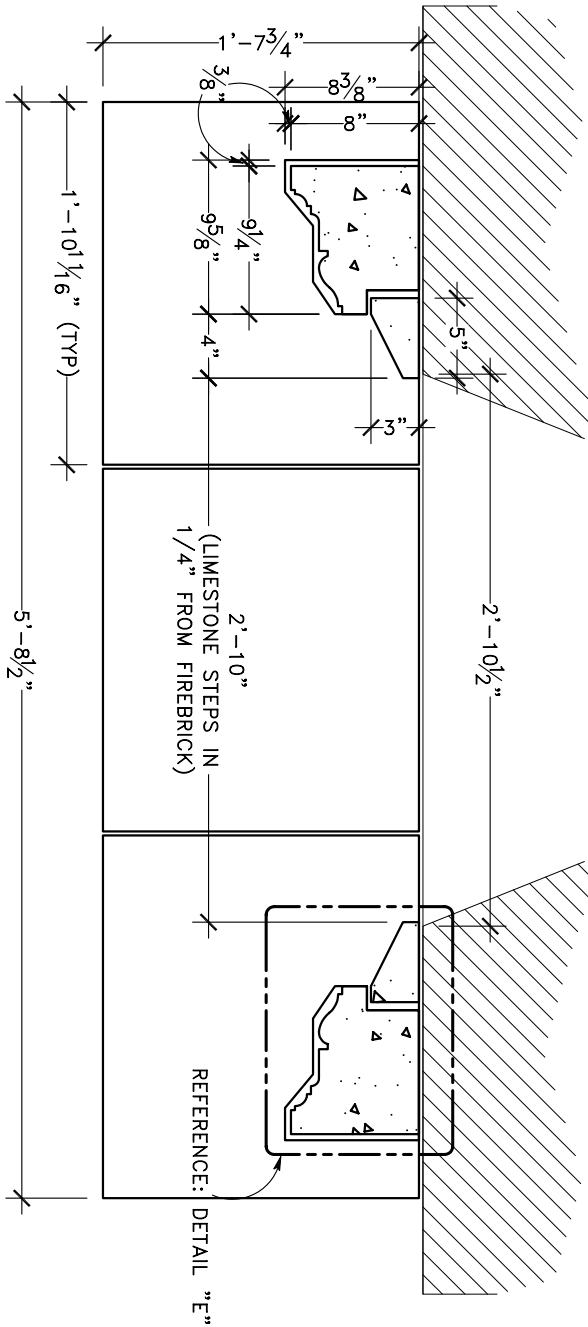
C  
SECTION VIEW  
SCALE: 1"=1'-0"

**BARTLETT STONE COMPANY**  
TEL: 512-818-9902 FAX 254-793-2125 10450 RR 2338 GEORGETOWN, TX 78628

**NOTE:**  
The dimensions, designs, and existing conditions detailed on this drawing must be reviewed, checked and approved with any necessary changes indicated by the client or their representative before the production of this project will begin.  
Bartlett Stone Company is not responsible for any damage resulting from insufficient substructure. The substructure required to carry this project, as determined by an architect or engineer, must be provided.  
All anchor pins and wall ties are to be provided by others.

1	0001	DATE:	
1-1/2"=1'-0"		SCALE:	

SAMPLE DRAWING  
NOT FOR PRODUCTION PURPOSES



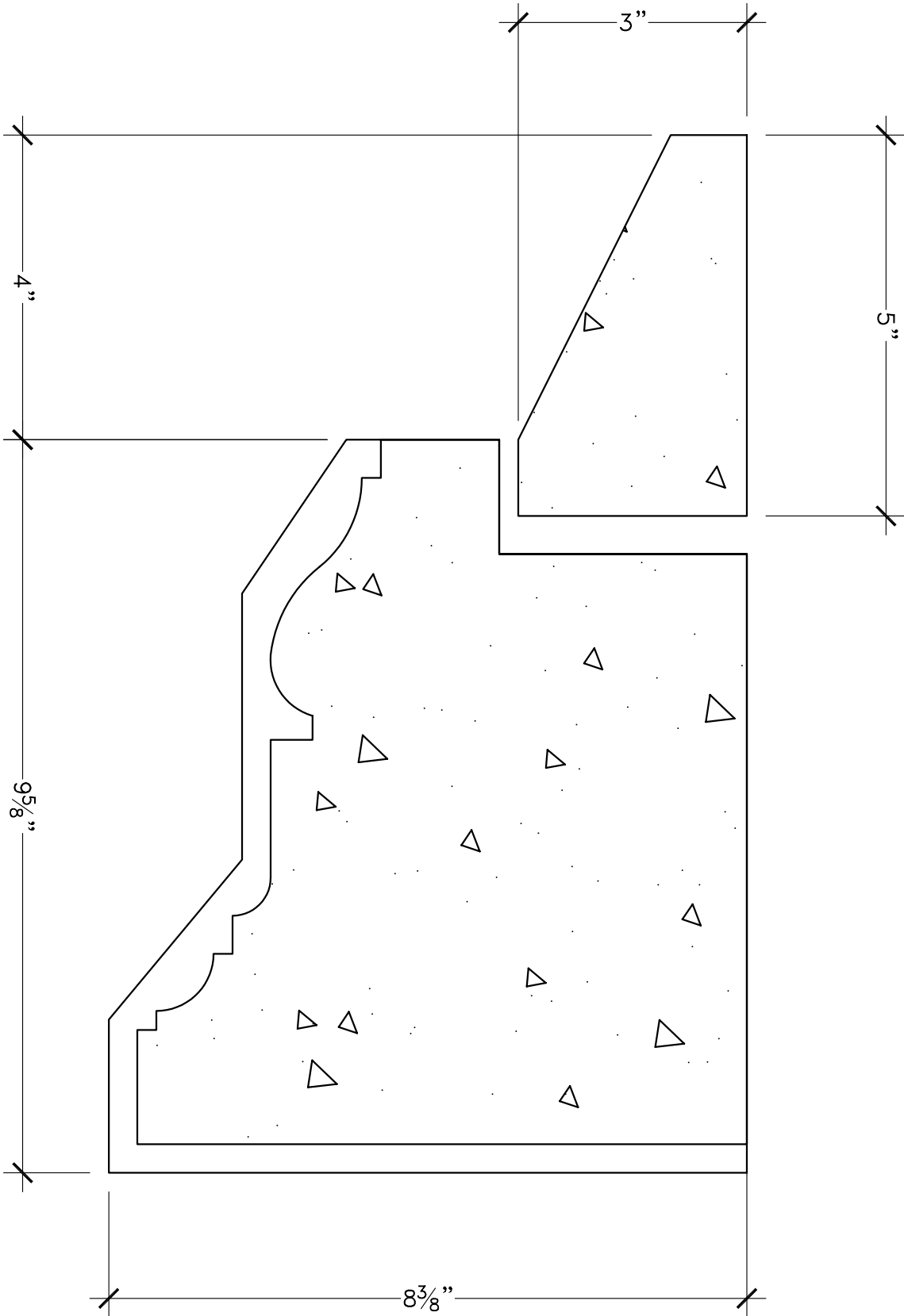
D PLAN VIEW  
SCALE: 1"=1'-0"

**NOTE:**  
The dimensions, designs, and existing conditions detailed on this drawing must be reviewed, checked and approved with any necessary changes indicated by the client or their representative before the production of this project will begin.  
Bartlett Stone Company is not responsible for any damage resulting from insufficient substructure. The substructure required to carry this project, as determined by an architect or engineer, must be provided.  
All anchor pins and wall ties are to be provided by others.

**BARTLETT STONE COMPANY**  
TEL: 512-818-9902 FAX 254-793-2125 10450 RR 2338 GEORGETOWN, TX 78628

PROJECT NO.	1	DRAWING NO.	0001
DATE	1-1/2-1-0	SCALE	

SAMPLE DRAWING  
NOT FOR PRODUCTION PURPOSES



E

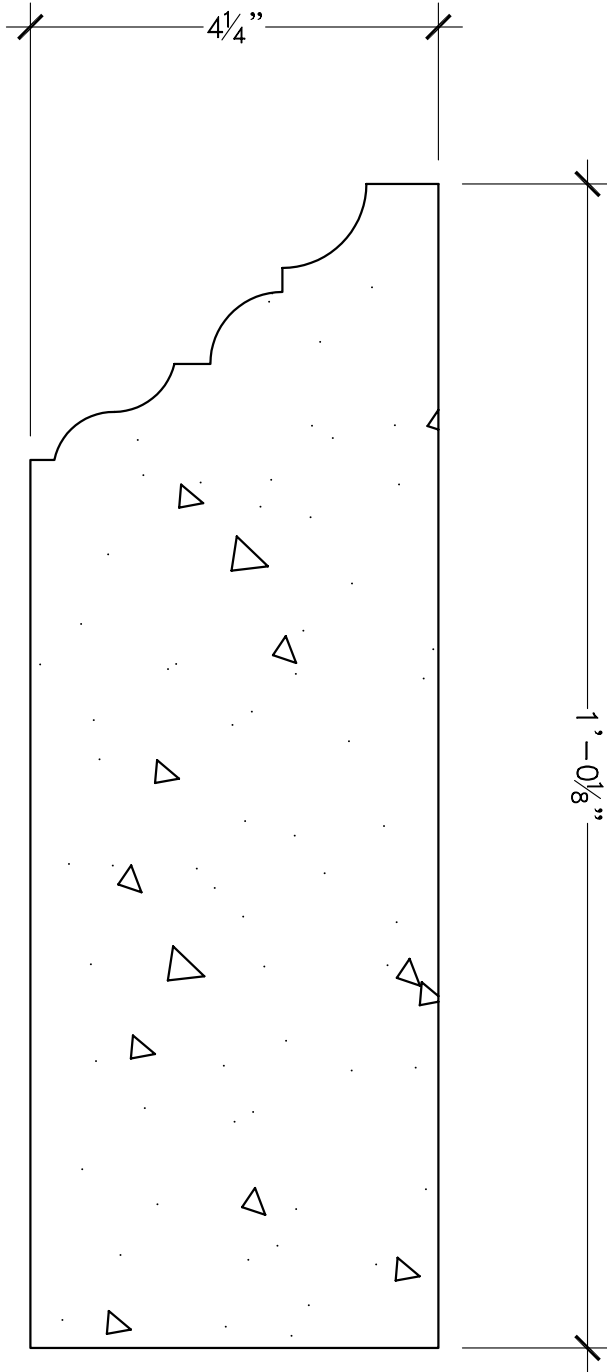
DETAIL SECTION OF JAMB AND INTERIOR  
SCALE: HALF

NO.	1	DATE	
REV.	0001	DATE	
BY		DATE	
CHECKED		DATE	
DATE			

**BARTLETT STONE COMPANY**  
 TEL: 512-818-9902 FAX 254-793-2125 10450 RR 2338 GEORGETOWN, TX 78628

**NOTE:**  
 The dimensions, design, and setting conditions detailed on this drawing must be reviewed, checked and approved with any necessary changes indicated by the client or their representative before the production of this project will begin.  
 Bartlett Stone Company is not responsible for any damage resulting from insufficient substructure. The substructure required to carry this project, as determined by an architect or engineer, must be provided.  
 All anchor pins and wall ties are to be provided by others.

SAMPLE DRAWING  
NOT FOR PRODUCTION PURPOSES



F  
DETAIL SECTION OF MANTLE  
SCALE: HALF

**NOTE:**

The dimensions, designs, and existing conditions detailed on this drawing must be reviewed, checked and approved with any necessary changes indicated by the client or their representative before the production of this project will begin.

Bartlett Stone Company is not responsible for any damage resulting from insufficient substructure. The substructure required to carry this project, as determined by an architect or engineer, must be provided.

All anchor pins and wall ties are to be provided by others.

**BARTLETT STONE COMPANY**  
TEL: 512-818-9902 FAX 254-793-2125 10450 RR 2338 GEORGETOWN, TX 78628

PROJECT NO.	1	DRAWING NO.	0001
DATE	1-17-2011	SCALE	1/2"=1'-0"
DESIGNED BY		CHECKED BY	
DRAWN BY		DATE	